

# RAIL DIRECT/INDIRECT LIGHT

ezo  
bord



## MEET RAIL DIRECT/INDIRECT LIGHT



Rail Direct/Indirect represents the latest in lighting baffles, now with an ability to illuminate both the ceiling above as well as the work surface below. Like its sister Rail products, Rail Direct/Indirect delivers both the benefits of lighting and the acoustical integrity that defines EzoBord, which mitigates high-end noise levels and reverberation. It also has the added ability to be hung and displayed at

an angle. Aesthetically, Rail Direct/Indirect delivers choice in design allowing for a selection of cladding material finishes, including wood print.

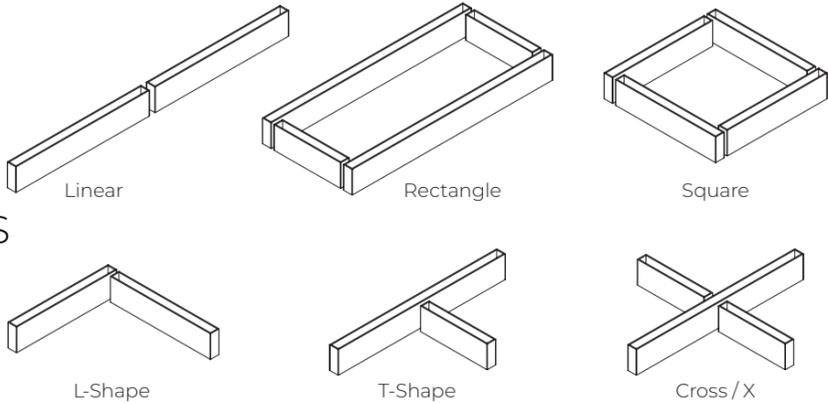
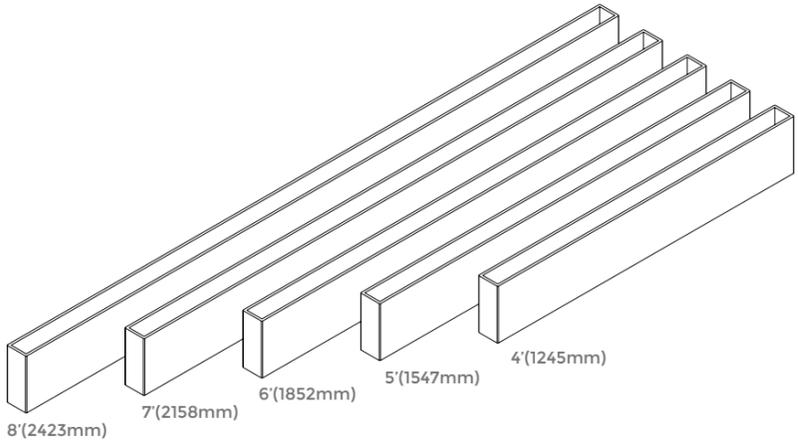
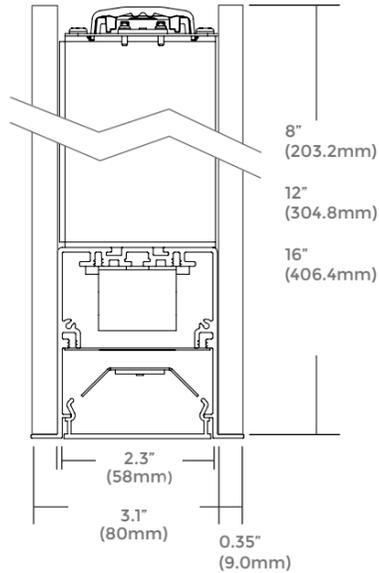
Perfect for any environment, from personal office space to an atrium, Rail Direct/Indirect amps up design and functionality while proving that two lights can indeed be better than one!

But first  
coffee & food



# RAIL

## DIRECT/INDIRECT\* LIGHT



### CONFIGURATIONS

**LENGTHS**

- 4' (1445 mm)
- 5' (1547 mm)
- 6' (1852 mm)
- 7' (2158 mm)
- 8' (2423.4 mm)

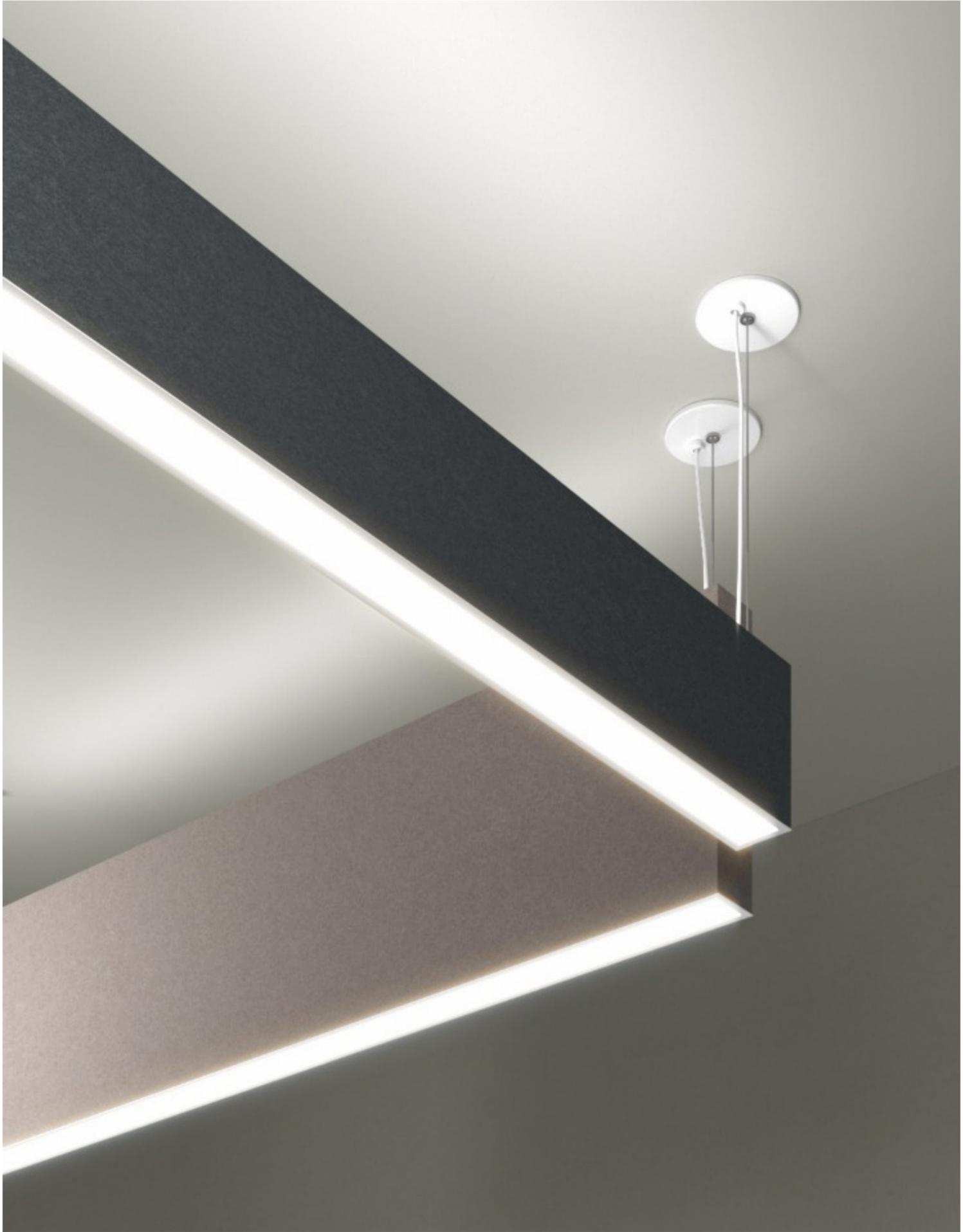
**HEIGHTS**

- 8" (203.2mm)
- 12" (304.8mm)
- 16" (406.4mm)

**CLADDING MATERIAL**

- EZOBORD**
- THICKNESS** 3/8" (9mm) | ±0.5mm
- WEIGHT** 3/8" (9mm) sheet: 8.4lbs (3.8kg) | ±5%
- HARDNESS** 60-65 (Shore C)

\*Indirect only option also available (inquire for details)



# ACOUSTICS

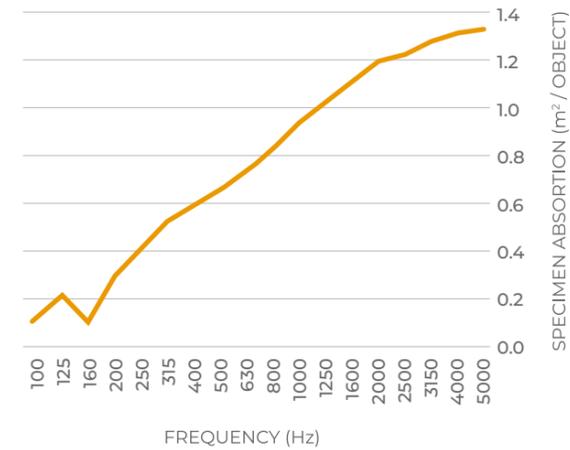
## NOISE REDUCTION - 3/8" (9MM)

Rail Baffles  
3/8" (9mm) material  
Model: Direct/Indirect  
(6 objects, 12 in. apart)

**SABINS:**  
Per Lineal Meter: 4.35  
Per Lineal Foot: 1.33

### SOUND ABSORPTION COEFFICIENTS (ASTM C423-17)

NRC	125	250	500	1000	2000	4000
1.10	0.2	0.39	0.64	0.92	1.17	1.29



### COMPOSITION

100% PET (min 50% recycled content)

### PRODUCT VARIANCES

Variation in fiber mix and colour may occur. All products will be supplied within commercial tolerances.

### FIRE TESTING

#### NORTH AMERICA:

- ASTM E-84 Class A
- CAN ULC S102-10

#### EUROPE AND UK:

- EN13501-1: 2007

### ACOUSTICS

Refer to ASTM C423 test chart for specific absorption rates/frequency.

- Rail Direct/Indirect Light 3/8" (9mm): NRC 1.10

### ENVIRONMENT

Made of polyester fiber, min. 50% of which comes from recycled water bottles which contributes to LEED MR Credit and BREEAM Health and Wellbeing, Materials points due to recycled content, acoustic performance, and low emitting materials. No VOC's: CDPH v1.2 and REACH SVHC Compliant.

### PRODUCT VARIANCES

Variation in fiber mix and color may occur. All products will be supplied within commercial tolerances.

### GENERAL

Tackable, impact resistant, bacteria resistant, moisture resistant, installation friendly.

# LIGHT SPECIFICATIONS

## HOUSING

Rigid extruded aluminum body, 2.0mm (0.08") nominal wall

## CRI

83+ for 3500K, 80 minimum for all CCTs in standard configurations.

## LUMEN MAINTENANCE

Minimum 50,000h with TM-21 lumen maintenance of 85% @ 25°C ambient temperature (calculated based on IESNA LM-80-08 LED test data). L70: ≥60,000hrs.

## PAINT FINISHES

White standard finish. For custom finish, contact factory.

## MOUNTING

Aircraft cable complete with a Quick-Grip field adjustable suspension system.

## ELECTRICAL

Factory prewired with easy wire quick connect sections.

## DRIVERS

0-10V dimming\* is standard on our entire LED product offering. Dimming range is 1%-100%. Power factor is > 90%. Class 2 rating. Drivers are integral.

## APPROVALS

All components are UL/ CSA/QPS recognized or listed. RoHS compliant. This product is cULus listed.

## ENVIRONMENT

Suitable for dry or damp locations.

\*Standard drivers compatible with passive/ sinking dimmers. Please contact EzoBord if active/sourcing dimmer support is required.

## PHOTOMETRIC DATA- 3500K, 80 CRI

Optics Up	Batwing
Optics Down	Meta Blanc
IES File	RM2DU-ACL-35K-4-BWMB-150
Lumens	1500/ft
Wattage	14.7/ft
Efficacy	102 LPW

### ZONAL LUMEN SUMMARY

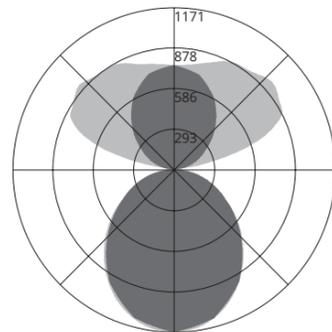
Zone	Lumens	%Fixt
0-90	3030	51
90-180	2972	49
0-180	6002	100.0

### LUMINANCE DATA (CD/M2)

Vertical Angle	Horizontal Angle		
	0	45	90
45	12332	12455	12569
55	11477	11371	11583
65	10878	10379	10378
75	10673	9786	8806
85	10640	9658	5367

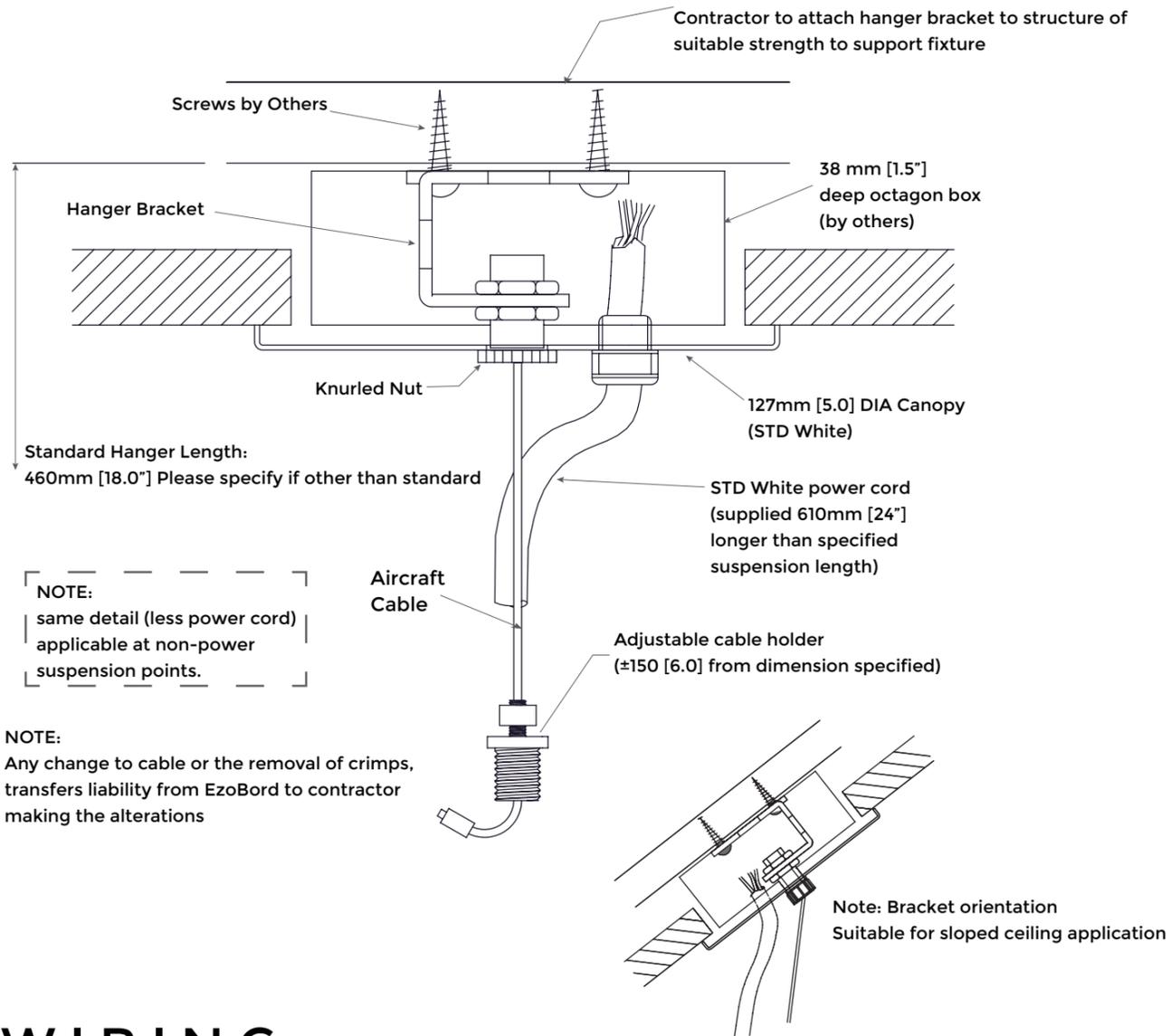
### PHOTOMETRIC CURVE

49% Up  
51%Down



# HARDWARE

## HANGER, AIRCRAFT CABLE & CORD



## WIRING

Standard	Up/Down Switching	Emergency / Night Light	Emergency Battery Pack
<p>BLACK - LINE WHITE - NEUTRAL GREEN - GROUND RED - CAPPED/SW LEAD VIOLET - DIM(+) PINK - DIM(-)</p>	<p>BLACK - LINE (UP) WHITE - NEUTRAL GREEN - GROUND RED - LINE (DOWN) VIOLET - DIM(+) PINK - DIM(-)</p>	<p>BLACK - LINE WHITE - NEUTRAL GREEN - GROUND RED - CAP OFF</p>	<p>BLACK - LINE WHITE - NEUTRAL GREEN - GROUND RED - UNSWITCHED HOT</p>





**COLORS 3/8" (9MM)**



**PRINT WOOD FINISH & \*BASE MATERIAL**





# ENVIRONMENT

## Our Commitment to the Environment

There are approximately 50 billion water bottles consumed around the world each year, and only about half of those get recycled. The rest end up in landfills, littered through our neighborhoods, or floating in our oceans.

Bottled water consumption has more than doubled since 2000; in 2015 there was the equivalent of more than 5 bottles of water consumed for every person in the USA every single week. This, of course, means that the amount of oil required to produce the energy used for the water bottling process continues to grow.

In 2007, the last year global statistics of oil consumption were available, between 32 million and 54 million barrels of oil were used to produce the bottled water that was consumed in the USA alone. This energy is used to make the bottles from PET pellets (1 million tons in the USA), treat water, bottle the water, label the bottles, and transport the bottled water. Most of the energy consumption occurs in the creation of the bottles themselves. To help in the lifecycle of this plastic product, we have chosen to manufacture our material so that it recycles these PET bottles. We are doing our part to reduce the waste. This acoustical and tackable material is made from PET bottles in a zero-waste process with postindustrial recycling. An environmentally friendly, sustainable, and waste reduced alternative to traditional acoustical/tackable material that looks great in any office, education, or open space installation.

## EzoBord is



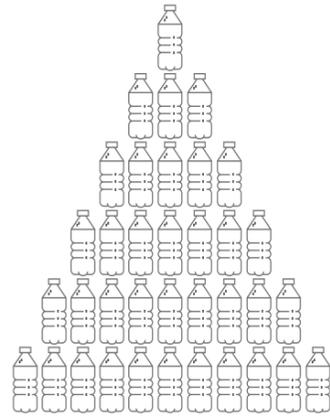
- Low VOC
- Formaldehyde free

## DID YOU KNOW...



For every pound of recycled PET bottles (approximately 23) energy use is reduced by 84% and greenhouse gas emissions are reduced by 71%.

## PET BOTTLES



± 166 pet bottles are used to make one 3/8" 9mm thick EzoBord sheet.

± 318 pet bottles are used to make one 1/2" 12mm thick EzoBord sheet.





DESIGN  
DRIVEN  
ACOUSTICS

## CANADA

---

### Ayrsonics Inc - Ontario

825 Trillium Drive  
Kitchener, Ontario N2R 1J9  
844-441-1122  
sales@ayrsonics.com

### Ayrsonics Inc - Alberta

292236 Nose Creek Boulevard  
Building 1B, Unit #19  
Rocky View County, AB T4A 3N7  
844-441-1122  
sales@ayrsonics.com

### EzoBord Corporate Office

6845 Rexwood Road, Unit 7  
Mississauga, ON L4V 1S5  
416-665-3571  
info@ezobord.com

## UNITED STATES

---

### Ayrsonics Midwest LLC

820 Tollgate Road  
Elgin, IL 60123  
800-517-0686  
sales.amw@ayrsonicsusa.com

### Ayrsonics Southwest LLC

8934 Eton Ave  
Canoga Park, CA 91304  
213-833-9700  
sales.asw@ayrsonicsusa.com

### Ayrsonics Southeast LLC

15 Enterprise Way  
Dahlonega, GA 30533  
706-539-4711  
sales.ase@ayrsonicsusa.com

## UNITED KINGDOM

---

### EzoBord UK Limited

Unit 20, Westwood Business Park  
Margate, Kent. CT9 4JJ  
+44 1843-264027  
sales@ezobord.co.uk

## IRELAND

---

### EzoBord Ireland Limited

Inniscarra, Main Street,  
Rathcoole, Co. Dublin,  
D24 EO29, Ireland  
+353 1485-4774  
sales@ezobord.ie

## CENTRAL & LATIN AMERICA

---

### EzoBord Costa Rica SRL

100 Sur 25 Oeste Recope  
Bodega #16 Ochomogo, Cartago  
+506 8842-4613  
info-ebcr@ezobord.com

### EzoBord - LATAM

Buenos Aires, Argentina  
+54 9 11 5657-1793  
info-latam@ezobord.com

FOLLOW US    